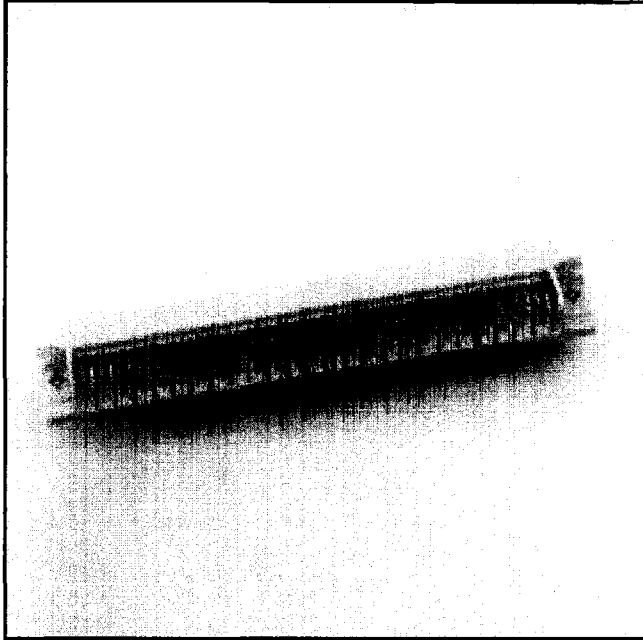


# .050" Mini Ribbon Board to Board

Boardmount Receptacle, 4 Row, Straight & Right Angle Solder Tail

91100 Series



- Leaf contact wipe
- Four row solder tails
- High temp body
- D shape polarization
- Lower profile
- Metal board retention
- Locator pegs (on straight)

Date Issued: February 19, 1999

TS-0823-02  
Sheet 1 of 4

25

---

## Physical

### Insulation

Material: Glass Filled Polyester (PCT)  
Flammability: UL 94V-0  
Color: Beige

### Contact

Material: Phosphor Bronze  
Plating  
Underplate: 100 $\mu$ " [ 2.54  $\mu$  m ] Nickel — QQ-N-290, Class 2  
Wiping Area: 30  $\mu$ " [ 0.76  $\mu$  m ] Gold — MIL-G-45204, Type II, Grade C  
Solder Tails: 100 $\mu$ " [ 2.54  $\mu$  m ] Tin Lead — MIL-P-81728

Marking: 3M Logo, Orientation Triangle and Date Code

---

## Electrical

Current Rating: .5 A  
Insulation Resistance:  $> 1 \times 10^9 \Omega$  at 500 Vdc  
Withstanding Voltage: 1000 Vrms at Sea Level

---

## Environmental

Temperature Rating:  $-55^\circ\text{C}$  to  $85^\circ\text{C}$   
Process Rating: Maximum  $235^\circ\text{C}$  with 90 Seconds over  $215^\circ\text{C}$

UL File No.: E68080

---

### 3M Electronic Products Division

6801 River Place Blvd.  
Austin, TX 78726-9000

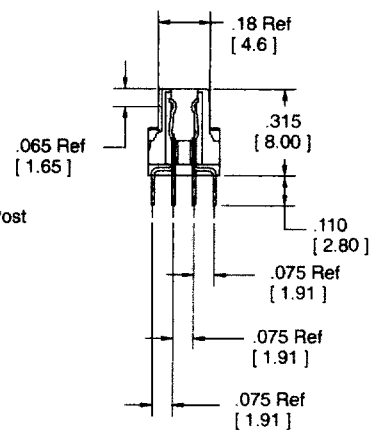
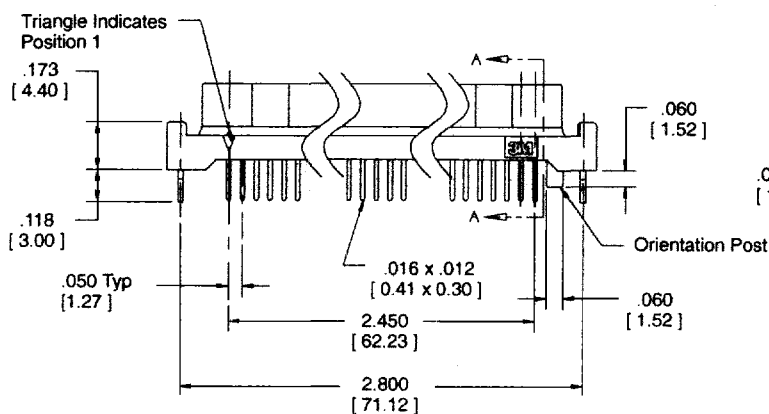
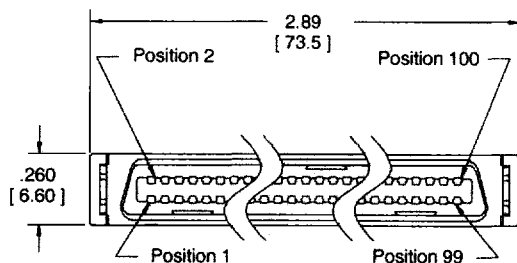
For technical, sales or ordering information call  
**800-225-5373**

# .050" Mini Ribbon Board to Board

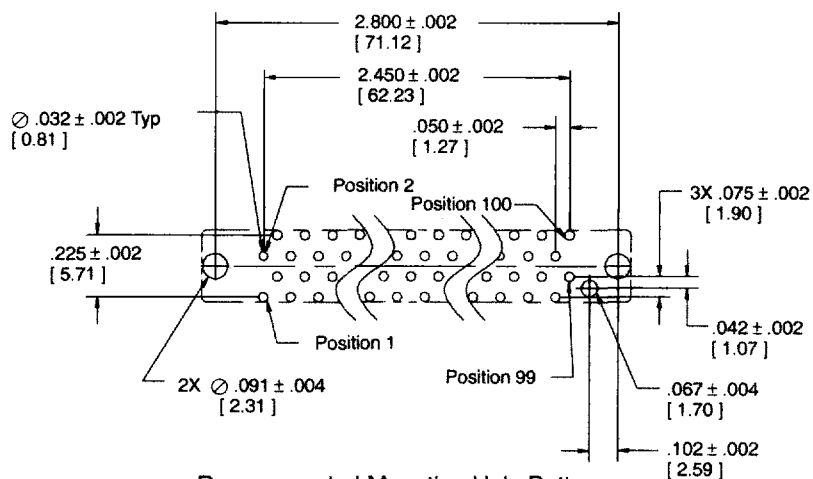
Boardmount Receptacle, 4 Row, Straight & Right Angle Solder Tail

91100 Series

## Straight



Section A-A



Recommended Mounting Hole Pattern  
(Viewed from Connector side)

Inch  
[mm]

Tolerance Unless Noted			
	.0	.00	.000
Inch	±.1	±.01	±.005

[ ] Dimensions for Reference only

## Ordering Information

91100-2201AR

TS-0823-02  
Sheet 2 of 4

## 3M Electronic Products Division

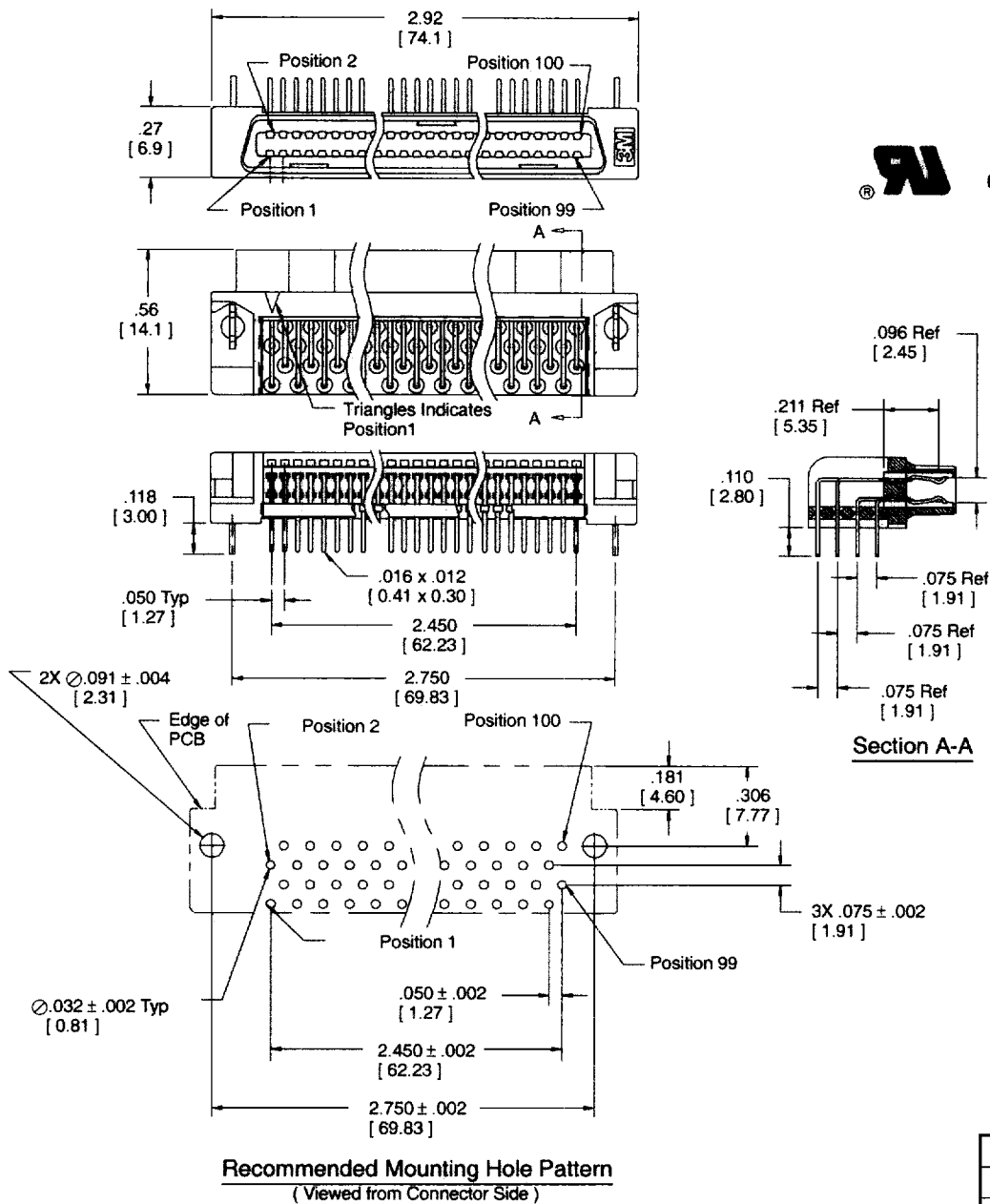
6801 River Place Blvd.  
Austin, TX 78726-9000

For technical, sales or ordering information call  
800-225-5373

# .050" Mini Ribbon Board to Board Boardmount Receptacle, 4 Row, Straight & Right Angle Solder Tail

91100 Series

## Right Angle



## Ordering Information

**91100-1201AR**

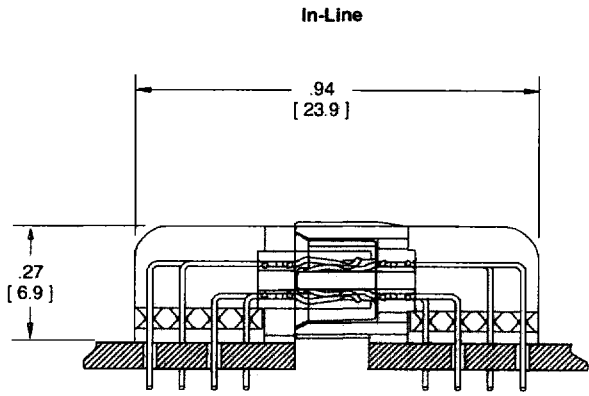
TS-0823-02  
Sheet 3 of 4

# .050" Mini Ribbon Board to Board

Boardmount Receptacle, 4 Row, Straight & Right Angle Solder Tail

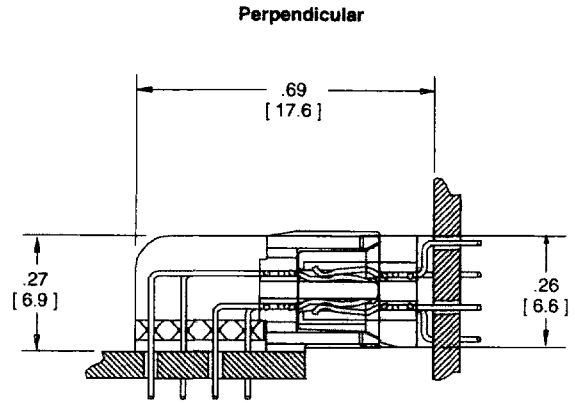
91100 Series

## Boardmount Mating Applications



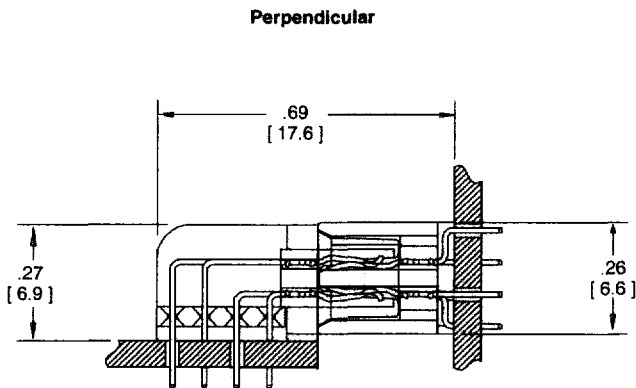
Right Angle Receptacle

Right Angle Plug



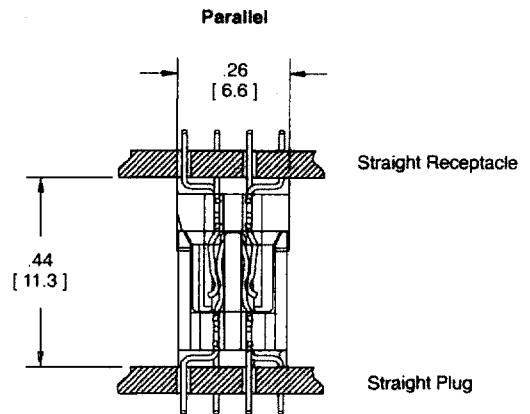
Right Angle Plug

Straight Receptacle



Right Angle Receptacle

Straight Plug



Straight Receptacle

Straight Plug

TS-0823-02  
Sheet 4 of 4

### 3M Electronic Products Division

6801 River Place Blvd.  
Austin, TX 78726-9000

For technical, sales or ordering information call  
**800-225-5373**